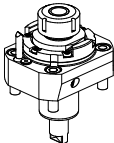
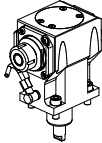
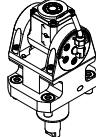
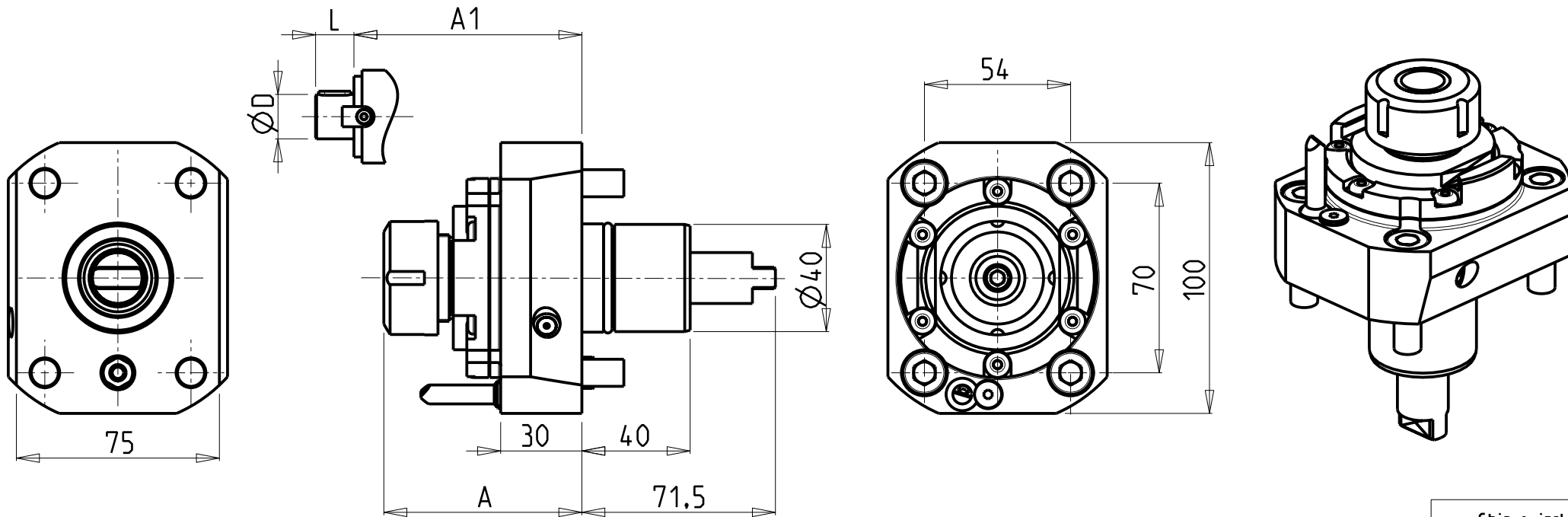


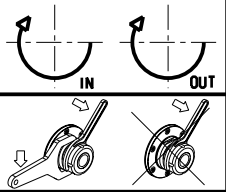
		PAGINA Page Seite
<p>MODULO MOTORIZZATO RADIALE Radial driven tool Radial angetriebenes Werkzeug</p>		MUR010.1.00
<p>MODULO MOTORIZZATO ASSIALE H=100mm Axial driven tool H=100mm Axial angetriebenes Werkzeug H=100mm</p>		MUR150.1.10
<p>MODULO MOTORIZZATO ORIENTABILE $\pm 90^\circ$ H=74mm $\pm 90^\circ$ adjustable angle driven tool H=74mm Angetriebenes Werkzeug schwenkbar $\pm 90^\circ$ H=74mm</p>		MUR335.1.00



- Chiave inclusa
- Key included
- Schlüssel inbegriffen

Cod. MT	Mandrino Spindel Spindel	I	RPM	Coppia Max Max Torque Max Drehmoment	Lubrificazione int. Coolant through Innenkuehlung	Lubrificazione est. Ext. coolant Aussenkuehlung	A	A1	D	L	CHIAVI NON INCLUSE Keys not included Schlüssel nicht einbegriffen	
MUR0050125	ER25	1:1	6000	40Nm	-	X	73.16	-	-	-	MNZ04.10005 ▪	CHSTER25
MUR0050325	ERA25	1:1	6000	40Nm	-	X	59.5	-	-	-	MNZ04.10005 ▪	CHUB27
MUR0050132	ER32	1:1	6000	40Nm	-	X	76.16	-	-	-	MNZ04.10005 ▪	CHSTER32
MUR0050225	ER25	1:1	6000	40Nm	P=30bar	X	88.16	-	-	-	MNZ04.10005 ▪	CHSTER25
MUR0050425	ERA25	1:1	6000	40Nm	P=30bar	X	74.5	-	-	-	MNZ04.10005 ▪	CHUB27
MUR0050232	ER32	1:1	6000	40Nm	P=30bar	X	91.16	-	-	-	MNZ04.10005 ▪	CHSTER32
MUR0050516	Ø16x17	1:1	6000	40Nm	-	X	-	54.5	16	17	MNZ04.10005 ▪	CH_VTCROCE_M08 ▪

MURATEC
 MOD: MT12 - MT200
 MODULO MOTORIZZATO RADIALE
 Radial driven tool
 Radial angetriebenes Werkzeug

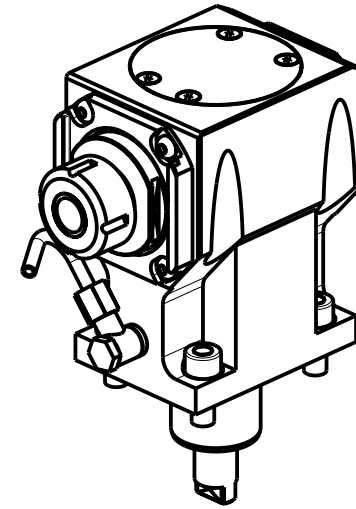
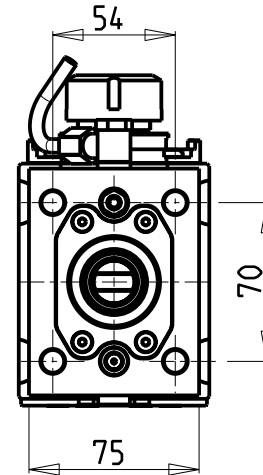
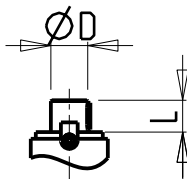
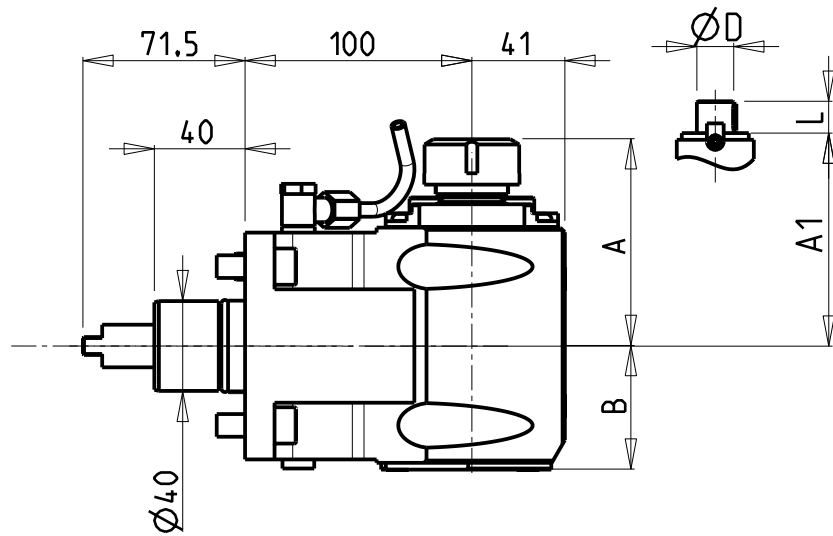


M.T. srl
 Via Casino Albini 480
 Tel. 0541/956034-957884
 Fax 0541/956341
 47842 S. GIOVANNI IN M. (RN)
 e-mail: mtma@mtmarchetti.com
 http://www.mtmarchetti.com

PRODUZIONE MODULI ROTANTI

 PAGINA MUR010-1-00

Subject to change without notice.



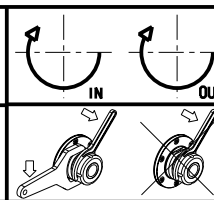
- Chiave inclusa
- Key included
- Schlüssel inbegriffen

Cod. MT	Mandrino Spindle Spindel	I	RPM	Coppia Max Max Torque Max Drehmoment	Reversibile lato mandrino/contromandrino Reversible sub/main spindle side Umkehrbare Spindel-seite/ Gegenspindel-seite	Lubrificazione int. Coolant through Innenkuehlung	Lubrificazione est. Ext. coolant Aussenkuehlung	A	A1	B	CHIAVI NON INCLUDE Keys not included Schlüssel nicht einbegriffen			
MUR0030125	ER25	1:1	6000	50Nm	X	-	X	91.16	-	54.5	-	CHSTER25	OKU0650004	▪
MUR0030325	ERA25	1:1	6000	50Nm	X	-	X	65	-	54.5	CHUB27	CHTAER25ZC	▪	OKU0650004
MUR0030132	ER32	1:1	6000	50Nm	X	-	X	93.66	-	54.5	-	CHSTER32	OKU0650004	▪
MUR0030140	ER40	1:1	6000	50Nm	X	-	X	98.16	-	54.5	-	CHSTER40	OKU0650004	▪
MUR0030225	ER25	1:1	6000	50Nm	X	P=70bar	X	91.16	-	65.5	-	CHSTER25	OKU0650004	▪
MUR0030425	ERA25	1:1	6000	50Nm	X	P=70bar	X	65	-	65.5	CHUB27	CHTAER25ZC	▪	OKU0650004
MUR0030232	ER32	1:1	6000	50Nm	X	P=70bar	X	93.66	-	65.5	-	CHSTER32	OKU0650004	▪
MUR0030240	ER40	1:1	6000	50Nm	X	P=70bar	X	98.16	-	65.5	-	CHSTER40	OKU0650004	▪
MUR0030516	Ø16x17	1:1	6000	50Nm	X	-	X	-	67.5	54.5	-	CH_VTCROCE_M08	OKU0650004	▪
MUR0030522	Ø22x19	1:1	6000	50Nm	X	-	X	-	67.5	54.5	-	CH_VTCROCE_M10	OKU0650004	▪
MUR0030527	Ø27x21	1:1	6000	50Nm	X	-	X	-	70	54.5	-	CH_VTCROCE_M12	OKU0650004	▪

MURATEC
MOD: MT12 - MT200

MODULO MOTORIZZATO ASSIALE H=100mm
Axial driven tool H=100mm
Axial angetriebenes Werkzeug H=100mm

Subject to change without notice.



M.T. srl
Via Casino Albini 480
Tel. 0541/956034-957884
Fax 0541/956341
47842 S. GIOVANNI IN M. (RN)
e-mail: mtma@mtmarchetti.com
http://www.mtmarchetti.com

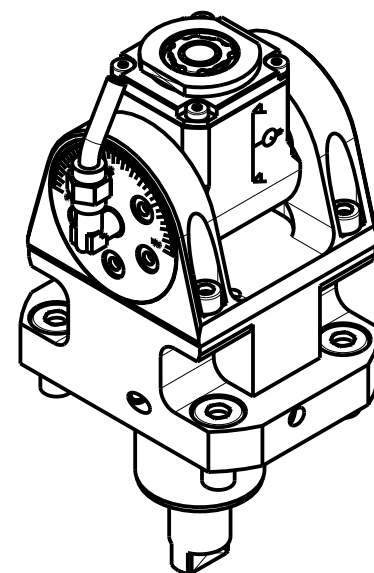
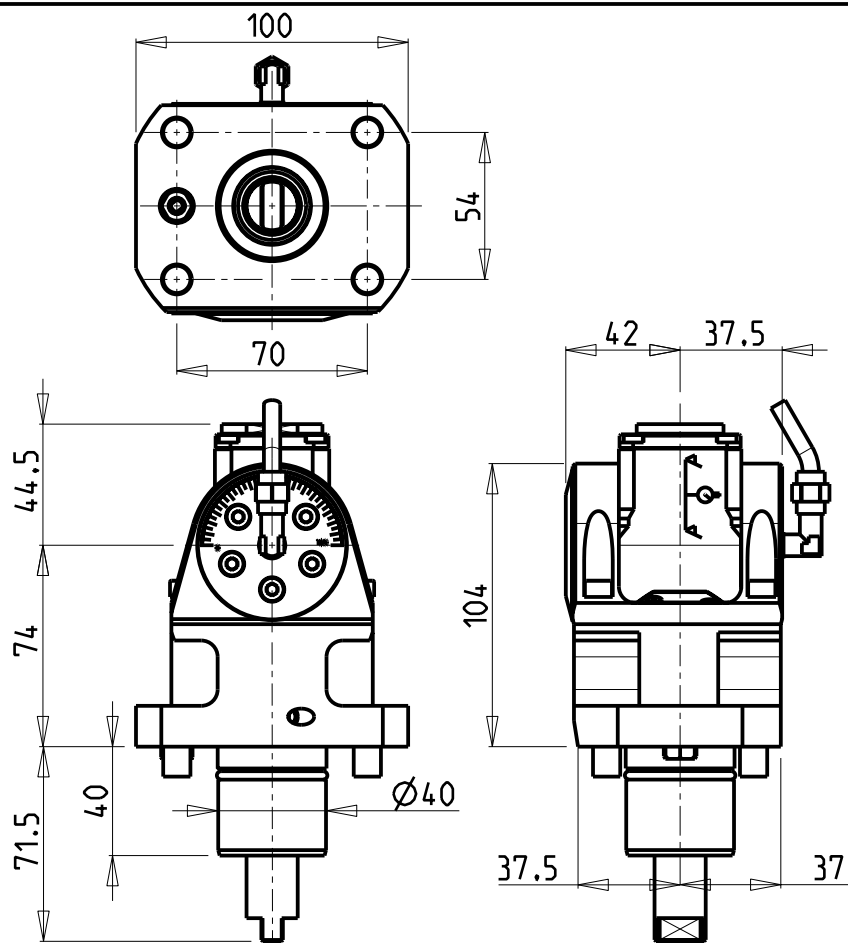
PRODUZIONE MODULI ROTANTI



PAGINA MUR150-1-10

ATTENZIONE - ATTENTION - ACHTUNG

- Con l'utensile orientato a 0° o 180°, non è possibile eseguire lavorazioni a centro-pezzo!
- It is not possible to make machining operations at the center of the part with tool oriented at 0° or at 180°
- Mit einem Werkzeug um 0° oder 180° orientiert, ist es nicht möglich, Verarbeitung von der Werkzeug-Mitte auszuführen.

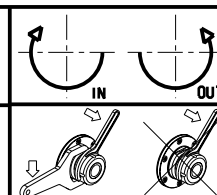


Cod. MT	Mandrino Spindle Spindel	I	RPM	Coppia Max Max Torque Max Drehmoment	Reversibile lato mandrino/contromandrino Reversible sub/main spindle side Umkehrbare Spindel-seite/ Gegenspindel-seite	Lubrificazione int. Coolant through Innenkuehlung	Lubrificazione est. Ext. coolant Aussenkuehlung	CHIAVI INCLUSE Keys included Schluessel inbegriffen			
								CHUB19_SP3	CHUB32	CHESL07	CHTAER16ZC
MUR0070116	ER A 16	1:1	6000	20Nm	X	-	X	CHUB19_SP3	CHUB32	CHESL07	CHTAER16ZC
MUR0070216	ER A 16	1:1	6000	20Nm	X	P=70bar	X	CHUB19_SP3	CHUB32	CHESL07	CHTAER16ZC

MURATEC
MOD: MT12 - MT200

MODULO MOTORIZZATO ORIENTABILE ±90° H=74mm
±90° adjustable angle driven tool H=74mm
Angetriebenes Werkzeug schwenkbar ±90° H=74mm

Subject to change without notice.



M.T. srl
Via Casino Albini 480
Tel. 0541/956034-957884
Fax 0541/956341
47842 S. GIOVANNI IN M. (RN)
e-mail: mtma@mtmarchetti.com
http://www.mtmarchetti.com

PRODUZIONE MODULI ROTANTI



PAGINA MUR335-1-00

