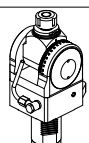
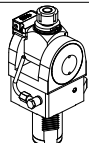
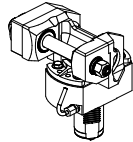
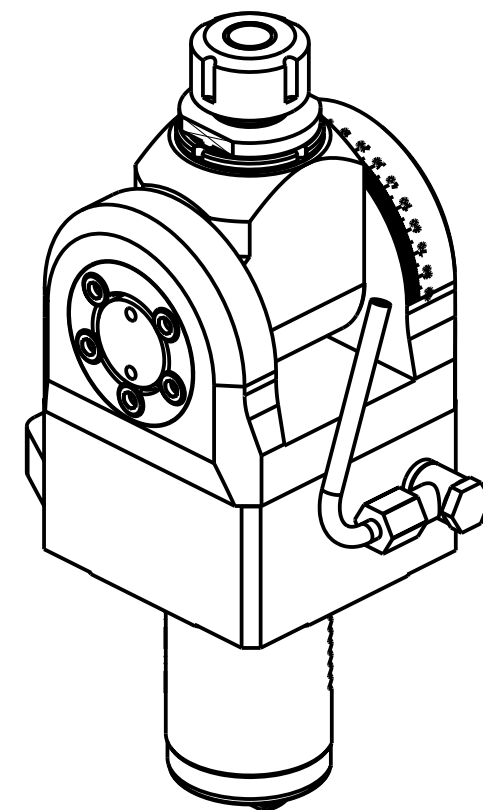
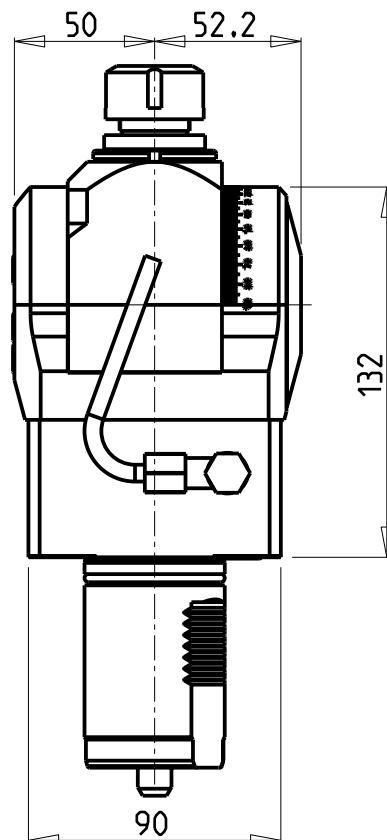
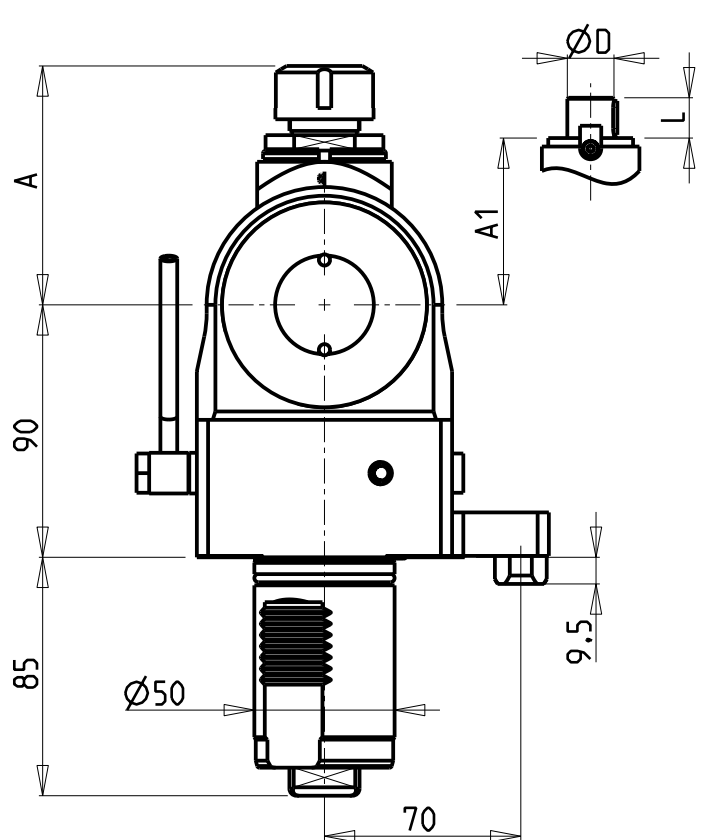


		PAGINA Page Seite
MODULO MOTORIZZATO ORIENTABILE $\pm 90^\circ$ $\pm 90^\circ$ adjustable angle driven tool Angetriebenes Werkzeug schwenkbar $\pm 90^\circ$		MZK333.5.00
MODULO MOTORIZZATO ORIENTABILE $\pm 90^\circ$ CON NONIO DIGITALE $\pm 90^\circ$ adjustable angle driven tool with digital display Angetriebenes Werkzeug schwenkbar $\pm 90^\circ$ mit digital display		MZK333.5.01
MODULO MOTORIZZATO PORTACREATORE Driven gear hobber Angetriebenes Zahnradwaelzfraes-Werkzeug		MZK340.5.00



Cod. MT	Mandrino Spindle Spindel	I	RPM	Coppia Max Max Torque Max Drehmoment	Lubrificazione est. Ext. coolant Aussenkühlung	A	A1	D	L	CHIAVI INCLUSE Keys included Schlüssel inbegriffen	
MZK0600120	ER20	1:1	6000	40Nm	X	85.16	-	-	-	CHUB36	CHSTER20
MZK0600125	ER25	1:1	6000	40Nm	X	86.16	-	-	-	CHUB36	CHSTER25
MZK0600516	Ø16x17	1:1	6000	40Nm	X	-	65	16	17	CHUB36	CH_VTCROCE_M08
MZK0600522	Ø22x19	1:1	6000	40Nm	X	-	66	22	19	CHUB36	CH_VTCROCE_M10
MZK0600519	Ø3/4"x3/4"	1:1	6000	40Nm	X	-	65	3/4"	3/4"	CHUB36	CH_VTCROCE_M08

MAZAK

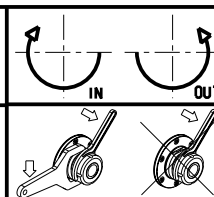
QT NEXUS 300/350/400/450M/MY - QT NEXUS 30011/35011/40011/45011 M/MY - SQT 28/30 - MEGATURN NEXUS 900M
 SLANT TURN NEXUS 500/550M - UNIVERSAL 2000/3000 M - HYPER QUADREX 450M - SQT 300/350/400/450M/MY

MODULO MOTORIZZATO ORIENTABILE ±90°

±90° adjustable angle driven tool

Angetriebenes Werkzeug schwenkbar ±90°

Subject to change without notice.



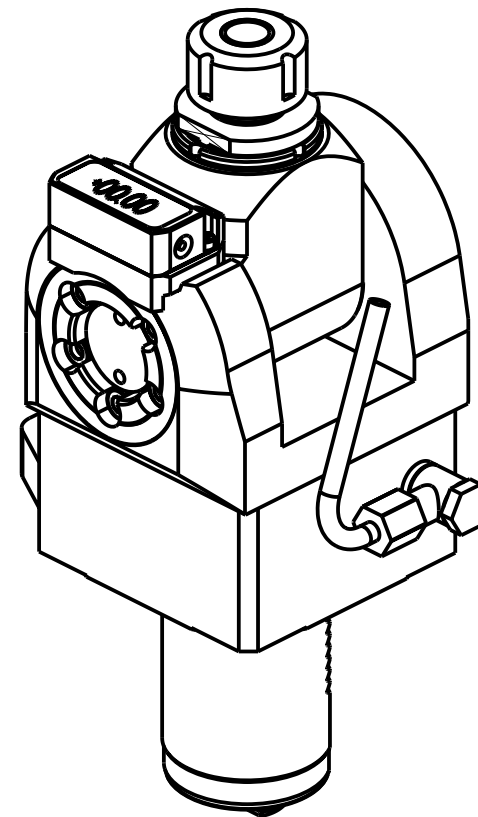
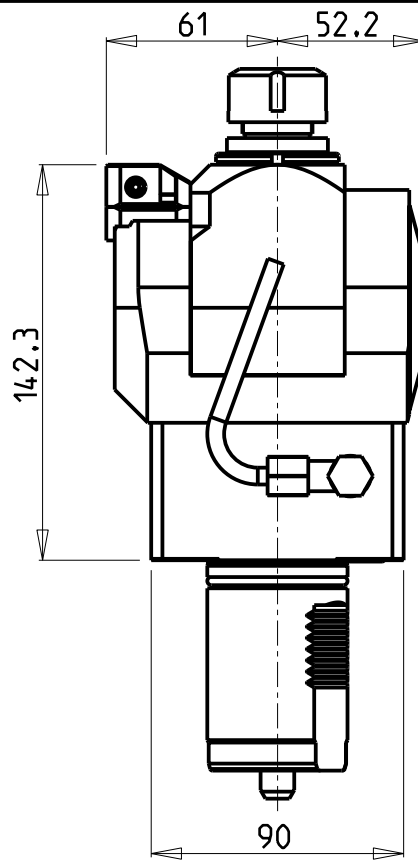
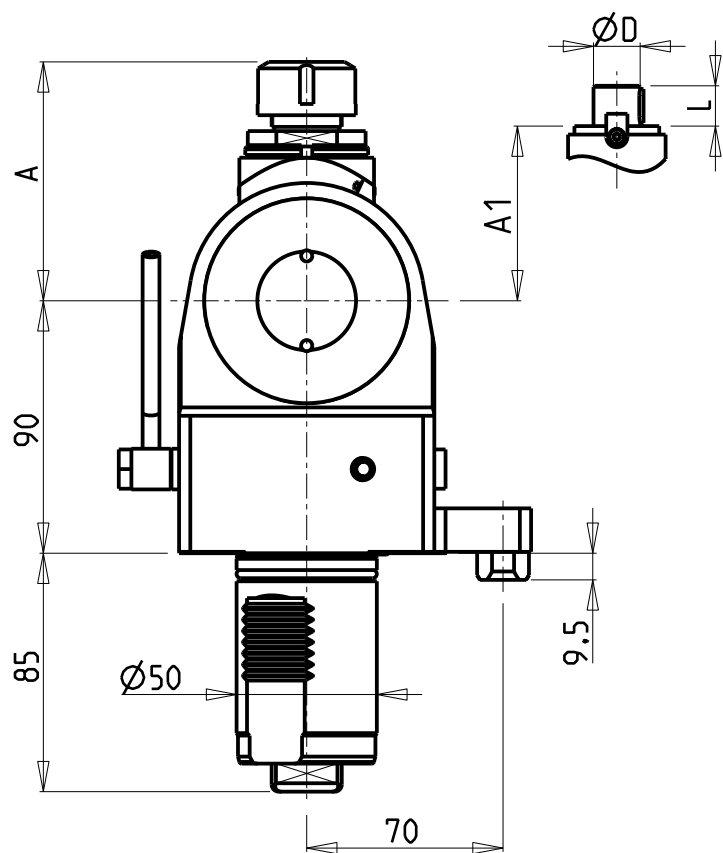
M.T. srl

Via Casino Albini 480
 Tel. 0541/956034-957884
 Fax 0541/956341
 47842 S. GIOVANNI IN M. (RN)
 e-mail: mtma@mtmarchetti.com
 http://www.mtmarchetti.com

PRODUZIONE MODULI ROTANTI



PAGINA MZK333-5-00



Cod. MT	Mandrino Spindle Spindel	I	RPM	Coppia Max Max Torque Max Drehmoment	Lubrificazione est. Ext. coolant Aussenkühlung	A	A1	D	L	CHIAVI INCLUSE Keys included Schluessel inbegriffen
MZK0610120	ER20	1:1	6000	40Nm	X	85.16	-	-	-	CHUB36 CHSTER20
MZK0610125	ER25	1:1	6000	40Nm	X	86.16	-	-	-	CHUB36 CHSTER25
MZK0610516	Ø16x17	1:1	6000	40Nm	X	-	65	16	17	CHUB36 CH_VTCROCE_M08
MZK0610522	Ø22x19	1:1	6000	40Nm	X	-	66	22	19	CHUB36 CH_VTCROCE_M10
MZK0610519	Ø3/4"x3/4"	1:1	6000	40Nm	X	-	65	3/4"	3/4"	CHUB36 CH_VTCROCE_M08

MAZAK

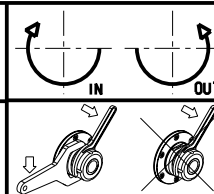
QT NEXUS 300/350/400/450M/MY - QT NEXUS 30011/35011/40011/45011 M/MY - SQT 28/30 - MEGATURN NEXUS 900M
 SLANT TURN NEXUS 500/550M - UNIVERSAL 2000/3000 M - HYPER QUADREX 450M - SQT 300/350/400/450M/MY

MODULO MOTORIZZATO ORIENTABILE ±90° CON NONIO DIGITALE

±90° adjustable angle driven tool with digital display

Angetriebenes Werkzeug schwenkbar ±90° mit digital display

Subject to change without notice.



M.T. srl

Via Casino Albini 480
 Tel. 0541/956034-957884
 Fax 0541/956341

47842 S. GIOVANNI IN M. (RN)
 e-mail: mtma@mtmarchetti.com
 http://www.mtmarchetti.com

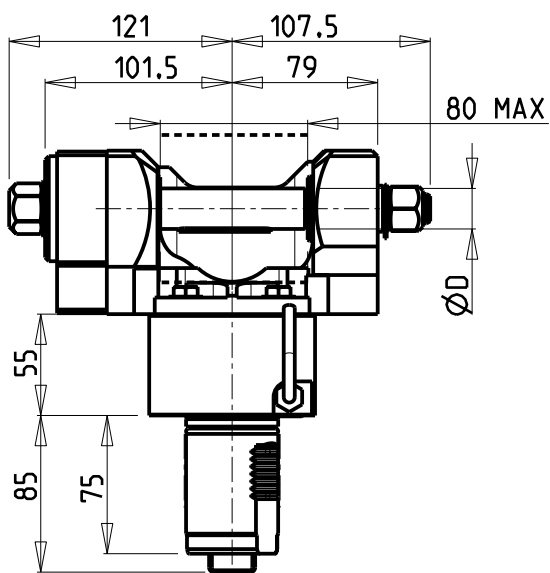
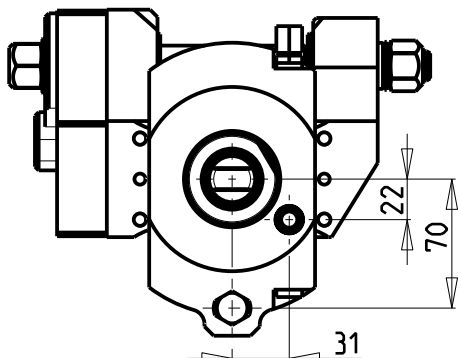
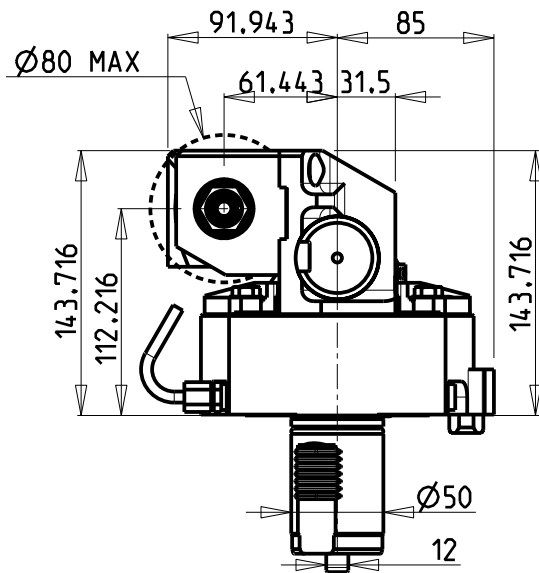
PRODUZIONE MODULI ROTANTI



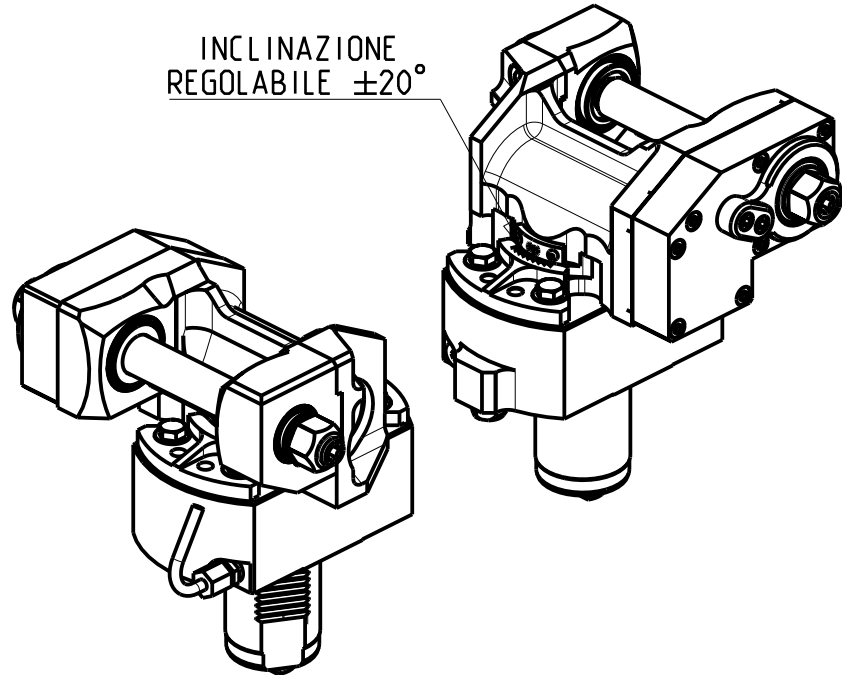
PAGINA MZK333-5-01

DOTAZIONI - SUPPLIED WITH - AUSSTATTUNG

- mm / inch
- N°1 ALBERO + DISTANZIALI
 - N°1 SHAFT + SPACER
 - N°1 DORN + ABSTANDSSTUECK



INCLINAZIONE
REGOLABILE ±20°



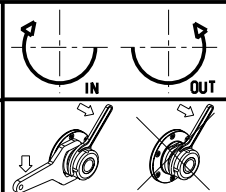
PER ALBERI E DISTANZIALI VEDI PAG. TBL250-1-00
FOR SHAFT END SPACER SEE PAGE TBL250-1-00
FUER DORN UND ABSTANDSSTUECK SEITE TBL250-1-00

Cod. MT	i	RPM max	Coppia Max Max Torque Max Drehmoment	Lubrificazione est. Ext. coolant Aussenkuehlung	D (mm)	D (Inch)	CHIAVI INCLUSE Keys included Schlüssel inbegriffen		
							CHUB24	CHUB13	CHESL08
MZK0171100	1:1	6000	60Nm	X	16-22-27-32	3/4"-1"-1 1/4"	CHUB24	CHUB13	CHESL08
MZK0172100	2:1	3000	80Nm	X	16-22-27-32	3/4"-1"-1 1/4"	CHUB24	CHUB13	CHESL08

MAZAK
 QT NEXUS 300/350/400/450M/MY - QT NEXUS 30011/35011/40011/45011 M/MY - SQT 28/30 - MEGATURN NEXUS 900M
 SLANT TURN NEXUS 500/550M - UNIVERSAL 2000/3000 M - HYPER QUADREX 450M - SQT 300/350/400/450M/MY

MODULO MOTORIZZATO PORTACREATORE
 Driven gear hobber
 Angetriebenes Zahnradwaeltzraes-Werkzeug

Subject to change without notice.



M.T. srl
 Via Casino Albini 480
 Tel. 0541/956034-957884
 Fax 0541/956341
 47842 S. GIOVANNI IN M. (RN)
 e-mail: mtma@mtmarchetti.com
 http://www.mtmarchetti.com

PRODUZIONE MODULI ROTANTI



PAGINA MZK340-5-00

