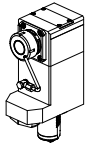
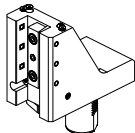
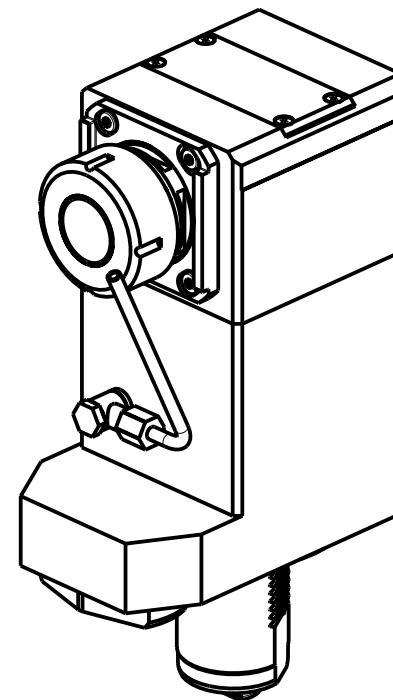
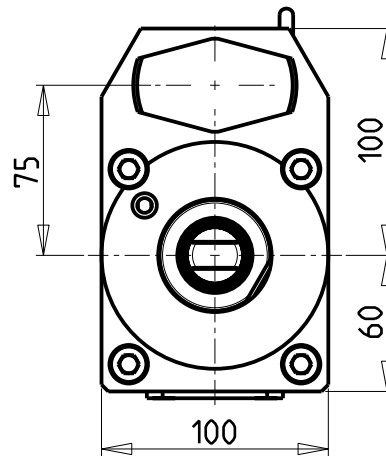
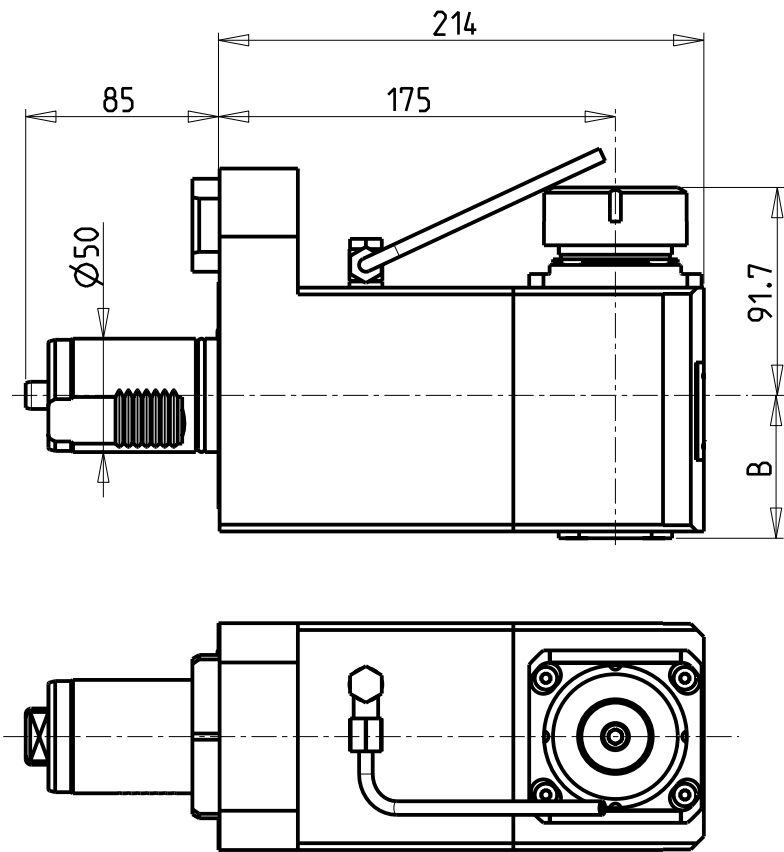


		PAGINA Page Seite
<p>MODULO MOTORIZZATO ASSIALE RIDOTTO I=2:1 H=175mm Axial geared-down I=2:1 driven tool H=175mm Axial angetriebenes Werkzeug untersetzt I=2:1 H=175mm</p>		MZK190.6.10
<p>PORTAUTENSILE RADIALE SINGOLO QD=25mm / QD=1" Radial single static tool QD=25mm / QD=1" Radial Single-Werkzeughalter QD=25mm / QD=1"</p>		MZK423.6.00



- Chiave inclusa
- Key included
- Schluessel inbegriffen

Cod. MT	Mandrino Spindle Spindel	I	RPM	Coppia Max Max Torque Max Drehmoment	Lubrificazione int. Coolant through Innenkuehlung	Lubrificazione est. Ext. coolant Aussenkuehlung	B	CHIAVI NON INCLUSE Keys not included Schluessel nicht einbegriffen	
MZK0360140	ER40	2:1	2000	70Nm	-	X	63	CHSTER40	OKU0650004 *
MZK0360240	ER40	2:1	2000	70Nm	P=70bar	X	74	CHSTER40	OKU0650004 *

MAZAK

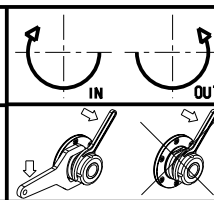
MULTIPLEX 630/6300 - MULTIPLEX W-300

MODULO MOTORIZZATO ASSIALE RIDOTTO I=2:1 H=175mm

Axial geared-down I=2:1 driven tool H=175mm

Axial angetriebenes Werkzeug untersetzt I=2:1 H=175mm

Subject to change without notice.

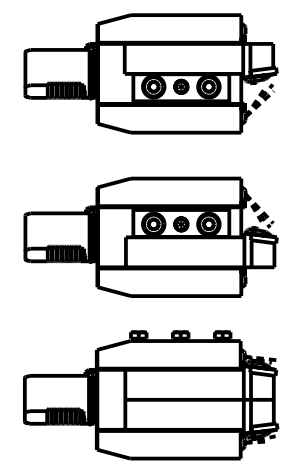
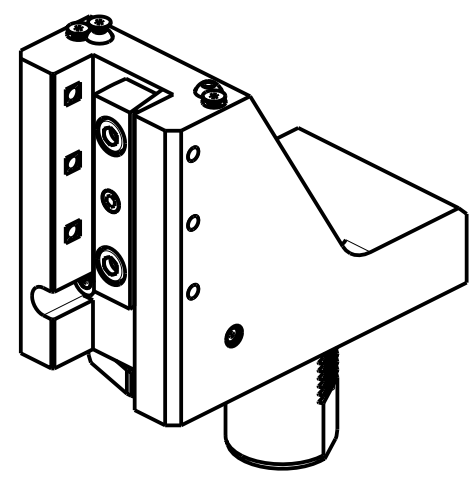
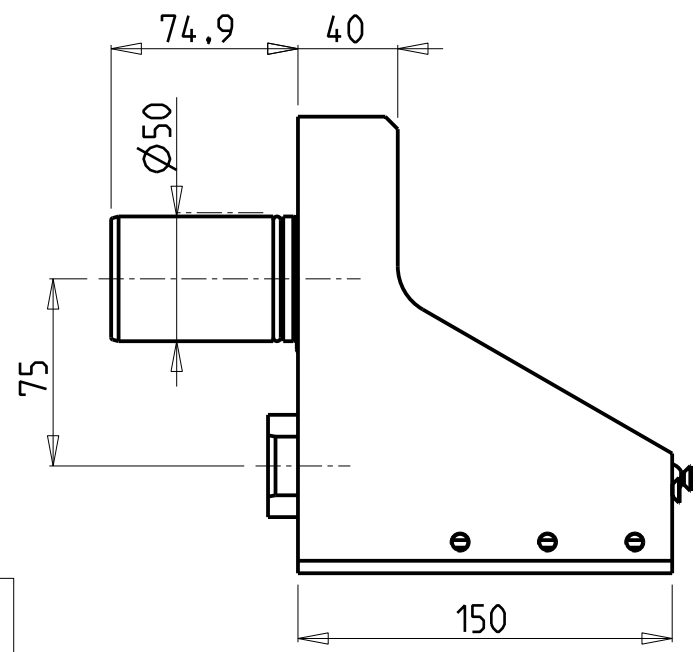
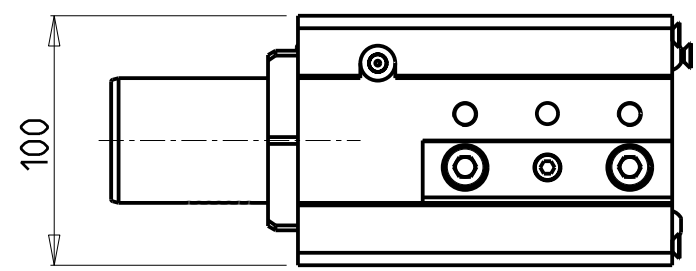
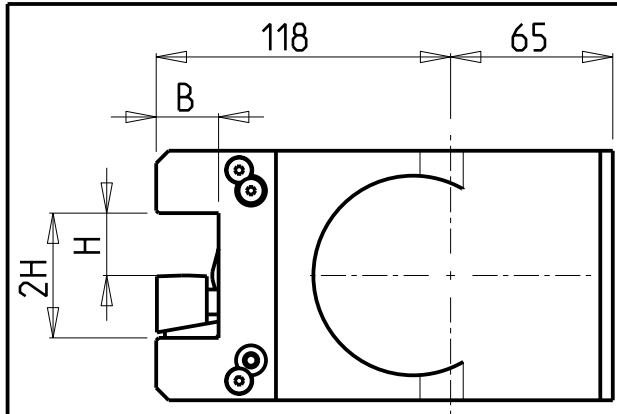


M.T. srl
Via Casino Albini 480
Tel. 0541/956034-957884
Fax 0541/956341
47842 S. GIOVANNI IN M. (RN)
e-mail: mtma@mtmarchetti.com
http://www.mtmarchetti.com

PRODUZIONE MODULI ROTANTI



PAGINA MZK190-6-10



Cod. MT	N°Utensili N°Tools N°Werkzeuge	Misure Dimensions Masse	B	H
MZK0302500	1/2	mm	25	25
MZK0302540	1/2	inch	1"	1"

MAZAK
 MULTIPLEX 630/6300 - MULTIPLEX W-300
 PORTAUTENSILE RADIALE SINGOLO QD=25mm / QD=1"
 Radial single static tool QD=25mm / QD=1"
 Radial Single-Werkzeughalter QD=25mm / QD=1"



M.T. srl
 Via Casino Albini 480
 Tel. 0541/956034-957884
 Fax 0541/956341
 47842 S. GIOVANNI IN M. (RN)
 e-mail: mtma@mtmarchetti.com
 http://www.mtmarchetti.com

PRODUZIONE MODULI ROTANTI

PAGINA MZK423-6-00

Subject to change without notice.